

Reese Cot

Australia Item #: 1523



*Shown with mattress (sold separately)

Made in Taiwan for:
Incy Interiors Pty Ltd
2a Piper Street, Bathurst, NSW, 2795
AUSTRALIA
(02) 9412 3884
www.incyinteriors.com.au

Designed and Distributed in Australia by:
Incy Interiors Pty Ltd
2a Piper Street, Bathurst, NSW, 2795
AUSTRALIA
(02) 9412 3884
www.incyinteriors.com.au

AUSTRALIAN STANDARDS COMPLIANCE



WARNING

**WARNING: TO PREVENT FALLS THE MATTRESS BASE OF THIS COT SHOULD BE ADJUSTED TO THE LOWEST POSITION BEFORE THE CHILD CAN SIT UP
RECOMMENDED MATTRESS SIZE: 700 MM WIDE X 1310 MM LONG X NO MORE THAN 120 MM THICK**

- Failure to follow these warnings and the assembly instructions could result in serious injury or death.
- Before each usage or assembly, inspect cot for damaged hardware, Loose joints, missing parts or sharp edges. Do not use cot if any parts are missing or broken. Ask your dealer or contact incy interiors for replacement parts and instructional literature if needed. Do not substitute parts.
- When child is able to climb out or reach the height of 90 cm, the cot shall no longer be used.
- Do not place cot near window where cords from blinds or drapes may strangle the child.
- If refinishing, use a non-toxic finish specified for children's products.
- Do not use a water mattress with this cot
- Upon completion of assembly, be sure all screws and bolts have been tightened securely.
- A periodic check should be made of all screws and bolts and retightened if necessary.
- Never use plastic shipping bags or other plastic film as mattress covers because they can cause suffocation.
- Do not drag cot.
- After cot has been completely assembled, store instruction sheet in this pouch.
- Under no circumstances should this warning be removed from mattress support!



WARNING

WARNING: TO PREVENT FALLS, THE MAXIMUM MATTRESS THICKNESS SHOULD NOT EXCEED 120 MM.

Care & Maintenance

- When cleaning your cot, use a non-toxic, non-abrasive cleaner. Mix a solution of water with a small amount of a mild detergent. Apply to cot surface with a damp cloth.
- When moving the cot without castors assembled, always lifts the unit. Do not push or drag it to avoid damaging the base.
- It is important that the humidity levels in the room be controlled from extremes of too much humidity or too little. The cot should not be placed directly next to air-conditioning, outlets, fire places, radiators, space heaters, humidifiers, or dehumidifiers. Exposure to extreme variations of temperature and humidity can damage wood products.
- Keep the cot out of direct sunlight. UV rays may fade colours and in some cases darken them. It can cause crazing or hair line cracks in the finish. White finishes will darken naturally over time and exposure to direct sunlight will hasten this natural process along with some wood darkening; this is not considered to be a quality defect.
- If you need to put your cot in storage for any period of time do not store it in a damp or hot environment. Allow air flow around the furniture and do not stack anything on it.

Check List

- Always check the cot is free from damage before use. Do not use product if any damage is present.
- Regularly check that all assembly fittings are always tightened properly and retighten as necessary.

After Sales Customer Service

When you receive your Incy Interiors product, if you need any assistance or if you have any comments with respect to any aspect of the goods, please contact your local distributor via email.

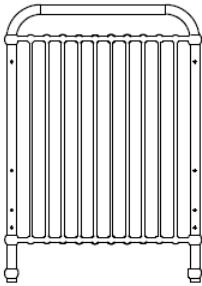
If you are missing parts you can order parts by emailing us at customerservice@incy.com.au or call (02) 9412 3884. Please include the product name, colour, and a brief description of the part you are missing.

You can also visit our website at www.incyinteriors.com.au for latest product information.

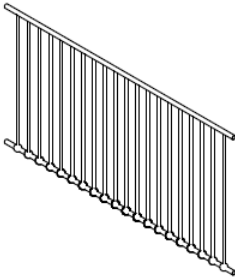
Incy Interiors Pty Ltd
2a Piper Street, Bathurst, NSW, 2795
AUSTRALIA
(02) 9412 3884
www.incyinteriors.com.au

Parts list

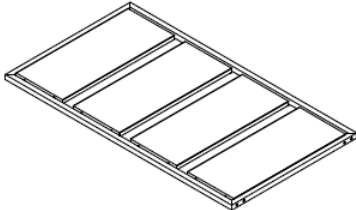
(1)headboard X 2pcs



(2)guardrail x 2pcs



(3)frame x 1pc



(4)Support Bar x 4pcs

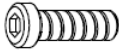


(5)fixing flat x 2pcs
(only use on level 1)



fittings

(A)M8 X 20mm x12pcs



(B)1/4" x 2-1/4 x 8pcs



(C)washer x 8pcs



(D) allen Key
m4 x 1pc
m5 x 1pc



(E) 1/4 X 15mm X2pcs



(F) Metal dowel x 4pcs pieces



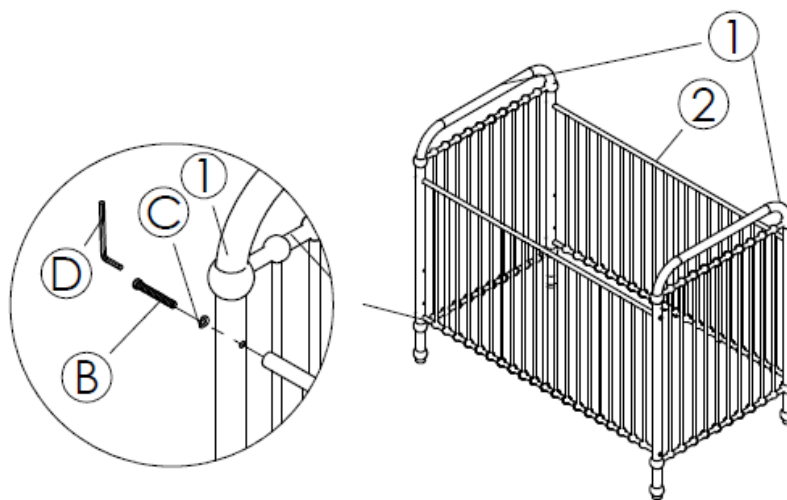
Assembly Instructions

Tools Necessary: Allen Key (included)

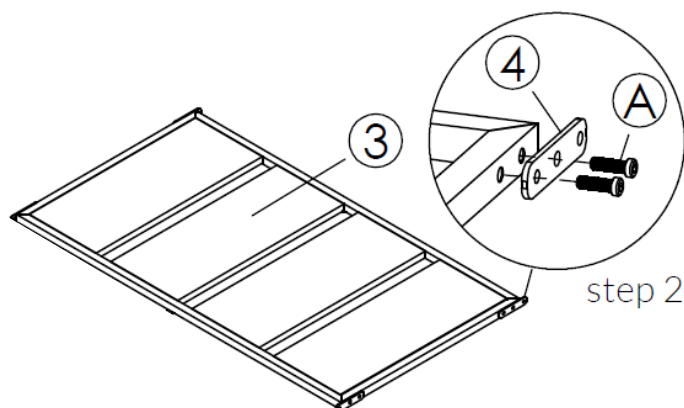
NOTE: It may be easier to assemble product with two people.

NOTE: When inserting bolts, turn clockwise until tight. Then loosen off a turn. After cot is completely assembled, return to each bolt and tighten.

1. Stand both headboards of the cot (part 1) upright, screw plastic feet into the bottom of each of the legs

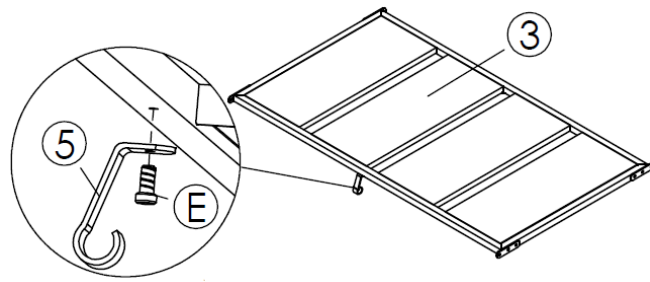


2. Place metal dowels (part F) into each corner of the mattress frame/base (part 3) leaving $\frac{3}{4}$ of the dowel out of the frame
3. Attach the support bars (part 4) to the mattress frame/base with screws (part A) and the smaller allen key provided



4. Attach fixing flats (part 5) to the mattress frame/base with screws (part E)

IMPORTANT NOTE: These are only to be used when the mattress frame/base is set on level 1



5. Slide mattress frame/base (part 3) into both cot ends at the preferred mattress height

6. Attach each of the guardrails (part 2) with the bolts (part B) and washer (part C) using the larger allen key provided, screwing tightly but do not over tighten

